



Features:

- ▶ Pressure Clamp connectors
- ▶ Dynamic heating up
- ▶ Wide voltage range
- ▶ Energy saving
- ▶ Clip Fixing
- ▶ Quick installation

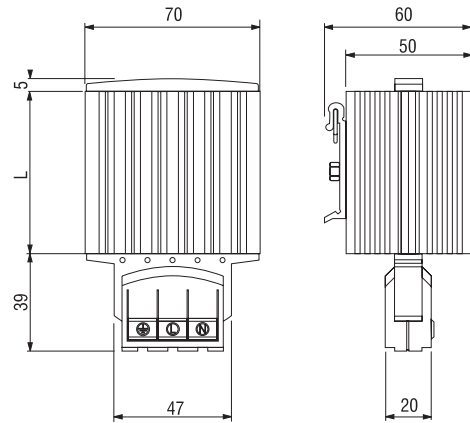


VIPS SPRs are used in enclosures where damage from condensation must be prevented, or where the temperature may not fall below minimum value. Aluminium Profile heater body design has the effect of chimney spreading heat evenly. The heaters are designed for permanent operation. Pressure clamp connectors simplify installation and also save time.

Technical specifications

Operating Voltage	120-240 VAC/DC(min 110V, max 265V)
Heating Element	PTC resistor- temperature limiting
Heater Body	Anodised extruded aluminium profile
Connection	3 pressure clamps for stranded wire 0.5-1.5 mm ² (with wire end ferrule) and rigid wire 0.5-2.5 mm ²

Dimension



The above dimension diagram are for SPR-15, SPR-30 and SPR-45

Mechanical Specifications

Mounting	35 mm DIN Rail EN60715
Fitting Position	Vertical airflow (air outlet up, connection on bottom)

Environmental Specification

Operating/ Storage Temperature	-45°C to 70°C
Operating/ Storage Humidity	Max 90% RH (non-condensing)
Protection Type/ Protection Class	IP20/I (earthed)

Ordering Information

Ordering Code	Description	Length (L)
VIPS SPR 15	Space Heater – 15 Watts	65 mm
VIPS SPR 30	Space Heater – 30 Watts	65 mm
VIPS SPR 45	Space Heater – 45 Watts	65 mm
VIPS SPR 60	Space Heater – 60 Watts	140 mm
VIPS SPR 75	Space Heater – 75 Watts	140 mm
VIPS SPR 100	Space Heater – 100 Watts	140 mm
VIPS SPR 150	Space Heater – 150 Watts	220 mm